

- NOTES :
- MATERIAL :  
HOUSING : HIGH TEMPERATURE LIQUID CRYSTAL POLYMER, UL94V-0  
COLOUR : BLACK  
CONTACTS : COPPER ALLOY  
LATCHES : HIGH TEMPERATURE NYLON, UL94V-0  
COLOUR : NATURAL (OFF-WHITE)  
COVER : HIGH TEMPERATURE NYLON, UL 94V-0  
COLOUR : BLACK

- FINISH  
CONTACTS : 0.76 MICROMETER (30 MICROINCH) MIN GOLD OVER  
1.25 MICROMETER (50 MICROINCH) MIN NICKEL  
SMT TAIL : 2.54 MICROMETER (100 MICROINCH) MIN TIN OVER  
1.25 MICROMETER (50 MICROINCH) MIN NICKEL
- ACCEPTS 1.0mm THICK MEMORY MODULE PER JEDEC MO-244 FOR 244 CKTS AND MO-258 FOR 200 CKTS.
- PRODUCT SPECIFICATION : PS-87783-001.
- PRODUCT SHALL BE PACKED IN TRAY

6. DATE CODE SHALL BE MARKED LEGIBLY AS SHOWN : YY DDD.
7. PART NUMBER SHALL BE MARKED LEGIBLY AS SHOWN : 87783-XXXX (REFER TO TABLE).

ADD DDR3 OPTION EC NO: S2008-1057 DRWN:CMTEO 2008/06/20 CH'KD:CGTAN 2008/06/20 APPR:SHLENI 2008/06/23	QUALITY SYMBOLS ▽=0 ◻=0	GENERAL TOLERANCES (UNLESS SPECIFIED)		DIMENSION STYLE MM ONLY		SCALE NTS	DESIGN UNITS METRIC	THIRD ANGLE PROJECTION		
			mm	INCH	DRAWN BY	DATE	TITLE			
		4 PLACES	± ---	± ---	MLONG	2003/08/04	ANGLE MINI DIMM 0.6MM PITCH, 244/200 CKT 22.5 DEG			
		3 PLACES	± ---	± ---	CHECKED BY	DATE				
	± 0.13	± ---	SRRAMESH	2004/11/19	MOLEX INCORPORATED DOCUMENT NO. SD-87783-001					
2 PLACES	± 0.13	± ---	APPROVED BY	DATE						
	± 0.25	± ---	GGLEE	2004/11/19	SEE TABLE SHEET NO. 1 OF 5					
1 PLACE	± 0.25	± ---	MATERIAL NO.							
	ANGULAR ± 1 °		DRAFT WHERE APPLICABLE MUST REMAIN WITHIN DIMENSIONS		THIS DRAWING CONTAINS INFORMATION THAT IS PROPRIETARY TO MOLEX INCORPORATED AND SHOULD NOT BE USED WITHOUT WRITTEN PERMISSION					



10 9 8 7 6 5 4 3 2 1

F

E

D

C

B

A

F

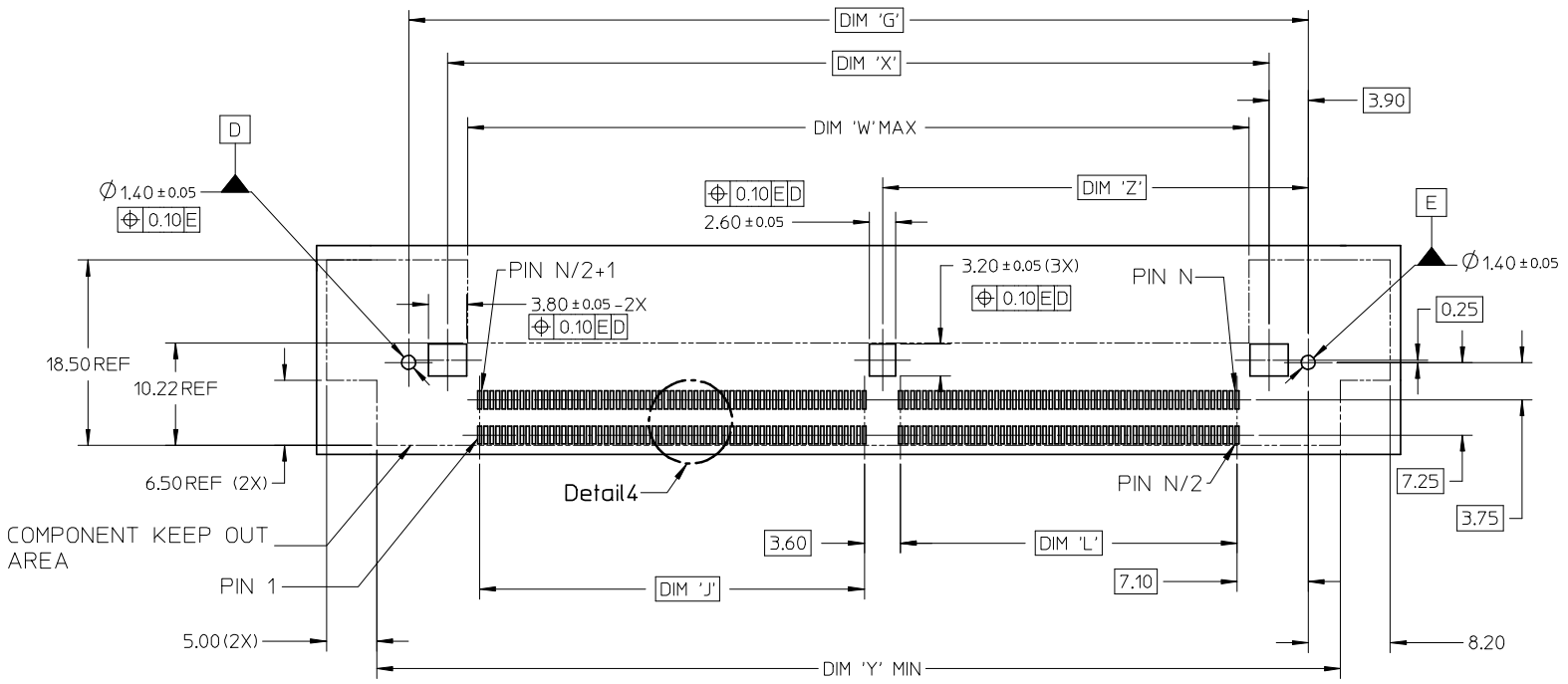
E

D

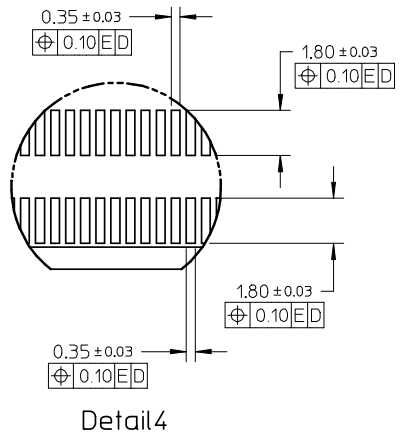
C

B

A



RECOMMENDED PCB LAYOUT



ADD DDR3 OPTION	EC NO: S2008-1057	2008/06/20
	DRW:CMTEO	2008/06/20
	CHKD:LGTAO	2008/06/20
	APPR:SHLENI	2008/06/23
	REV 1	

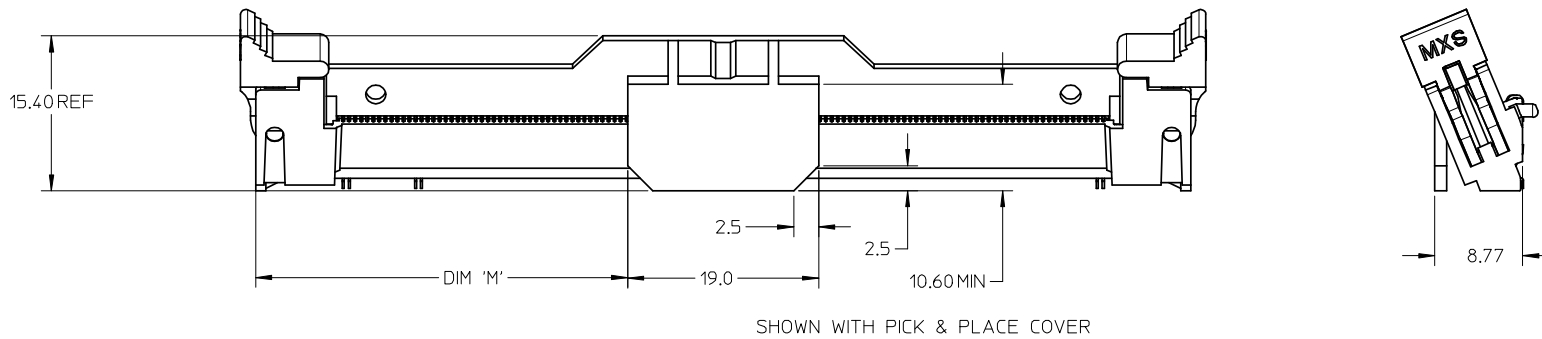
QUALITY SYMBOLS	▽=0
	∇=0

GENERAL TOLERANCES (UNLESS SPECIFIED)		mm	INCH
	4 PLACES	± ---	± ---
	3 PLACES	± ---	± ---
	2 PLACES	± 0.13	± ---
	1 PLACE	± 0.25	± ---
	ANGULAR ± 1 °		
DRAFT WHERE APPLICABLE MUST REMAIN WITHIN DIMENSIONS			

DIMENSION STYLE		MM ONLY	
DRAWN BY	DATE	TITLE	
MLONG	2003/08/04	ANGLE MINI DIMM	
CHECKED BY	DATE	0.6MM PITCH, 244/200 CKT	
SRRAMESH	2004/11/19	22.5 DEG	
APPROVED BY	DATE	MOLEX INCORPORATED	
GGLEE	2004/11/19	MOLEX INCORPORATED	
MATERIAL NO.		DOCUMENT NO.	SHEET NO.
SEE TABLE		SD-87783-001	3 OF 5

SCALE	DESIGN UNITS	THIRD ANGLE PROJECTION
NTS	METRIC	
THIS DRAWING CONTAINS INFORMATION THAT IS PROPRIETARY TO MOLEX INCORPORATED AND SHOULD NOT BE USED WITHOUT WRITTEN PERMISSION		

9 8 7 6 5 4 3 2 1



CKT SIZE 'N'	PART NUMBER	MODULE CARD	VOLTAGE KEY	DIM 'R'	DIM 'E'	DIM 'J'	DIM 'L'	DIM 'M'	DIM 'P'	DIM 'G'	DIM 'S'	DIM 'T'	DIM 'U'	DIM 'V'	DIM 'W'	DIM 'X'	DIM 'Y'	DIM 'Z'	DIM 'A'	DIM 'B'
244	87783-0001	DDR2	1.8 V	1.30	39.60	38.40	33.60	37.0	79.0	89.80	96.0	106.20	78.00	82.00	78.0	82.00	96.20	42.50	93.0	75.60
	87783-0301	DDR3	1.5 V	2.30																
200	87783-0201	DDR2	1.8 V	1.30	24.60	23.40	35.40	30.40	65.8	76.60	82.8	93.00	64.80	68.80	64.8	68.80	83.00	44.30	79.8	62.40
	87783-0202	DDR	2.5 V	2.30																

ADD DDR3 OPTION EC NO: S2008-1057 DRW: NCMTEO 2008/06/20 CHK: DCGTAN 2008/06/20 APPR: SHELNI 2008/06/23	DESCRIPTION REV	QUALITY SYMBOLS 	GENERAL TOLERANCES (UNLESS SPECIFIED) <table border="1"> <thead> <tr> <th></th> <th>mm</th> <th>INCH</th> </tr> </thead> <tbody> <tr> <td>4 PLACES</td> <td>± ---</td> <td>± ---</td> </tr> <tr> <td>3 PLACES</td> <td>± ---</td> <td>± ---</td> </tr> <tr> <td>2 PLACES</td> <td>± 0.13</td> <td>± ---</td> </tr> <tr> <td>1 PLACE</td> <td>± 0.25</td> <td>± ---</td> </tr> </tbody> </table>		mm	INCH	4 PLACES	± ---	± ---	3 PLACES	± ---	± ---	2 PLACES	± 0.13	± ---	1 PLACE	± 0.25	± ---	DIMENSION STYLE <b>MM ONLY</b>	SCALE NTS	DESIGN UNITS METRIC	THIRD ANGLE PROJECTION
			mm	INCH																		
		4 PLACES	± ---	± ---																		
		3 PLACES	± ---	± ---																		
2 PLACES	± 0.13	± ---																				
1 PLACE	± 0.25	± ---																				
		DRAFT WHERE APPLICABLE MUST REMAIN WITHIN DIMENSIONS	DRAWN BY MLONG	DATE 2003/08/04	TITLE <b>ANGLE MINI DIMM</b> 0.6MM PITCH, 244/200 CKT 22.5 DEG																	
			CHECKED BY SRRAMESH	DATE 2004/11/19	<b>MOLEX INCORPORATED</b>																	
			APPROVED BY GGLEE	DATE 2004/11/19	MATERIAL NO. <b>SEE TABLE</b>	DOCUMENT NO. <b>SD-87783-001</b>	SHEET NO. <b>4 OF 5</b>															

